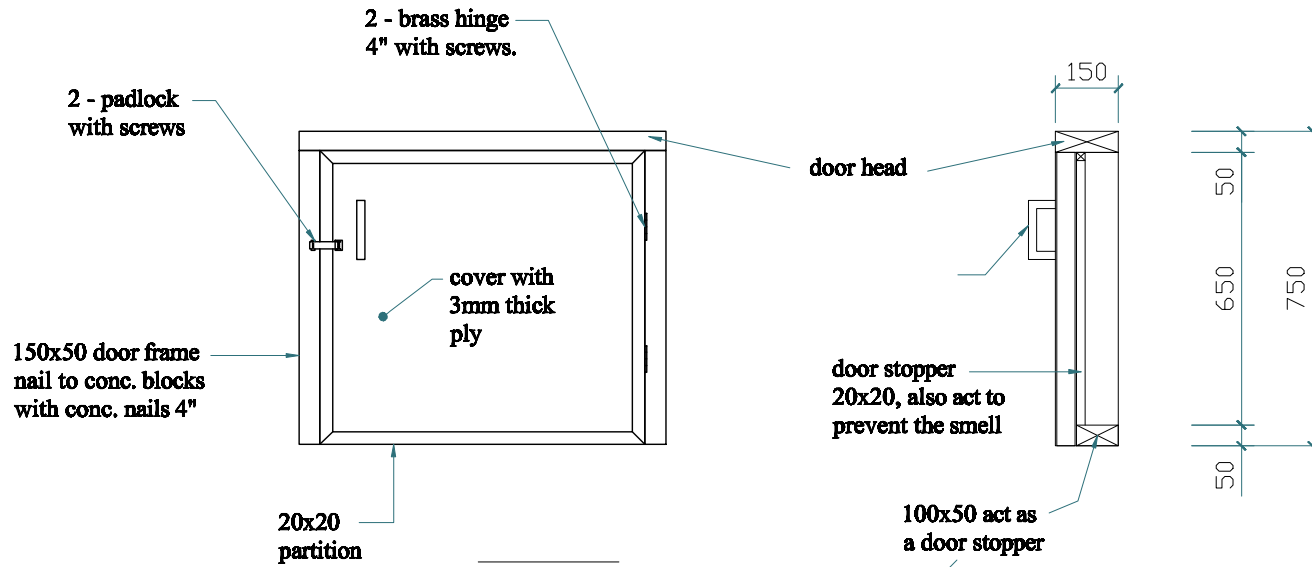
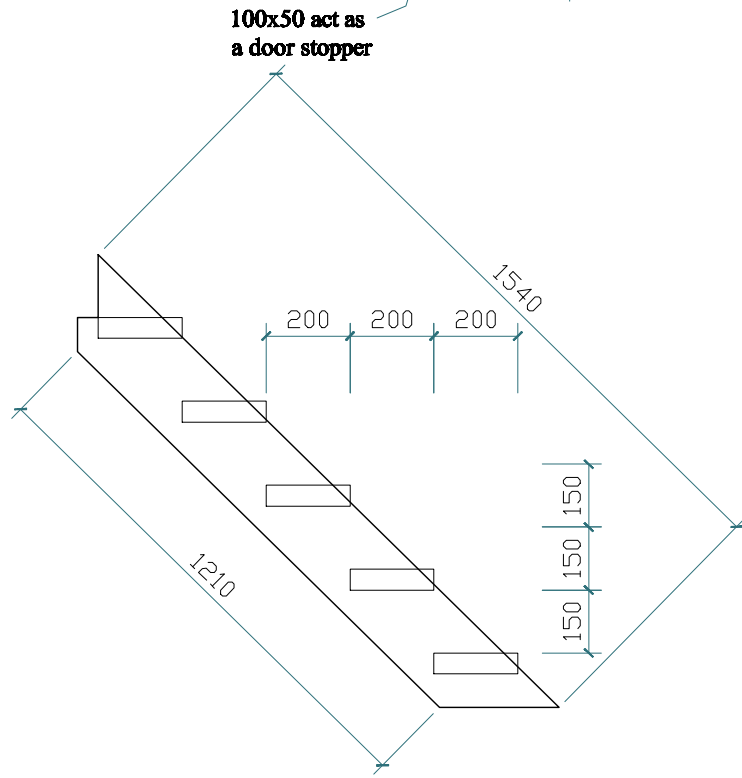


RAFTER

Note:		
Ref.	Date	Revision
<p>Copyright of this drawing shall remain the property of the Government of Tervelu. The contractor shall verify all dimensions prior to preparation of shop drawings or commencement of any work. The designer shall be immediately of any discrepancy.</p>		
<p>PUBLIC WORKS DEPARTMENT ARCHITECTURAL SECTION Ph: 20 200 Fax: 20202 E-mail: publicworks@tervelu.lv</p>		
Client:		
IWRM PROJECT		
Project Title:		
COMPOSTING TOILET		
Drawing Title:		
TRUSS DETAIL		
Scale:	Design by:	
No	DSU	
	Drawn by:	
	EM	
Approved for construction:		
Date:	Division:	
06/04/10	DSU	
Project No:		
Sheet No	Revision	Sheet No
		A01

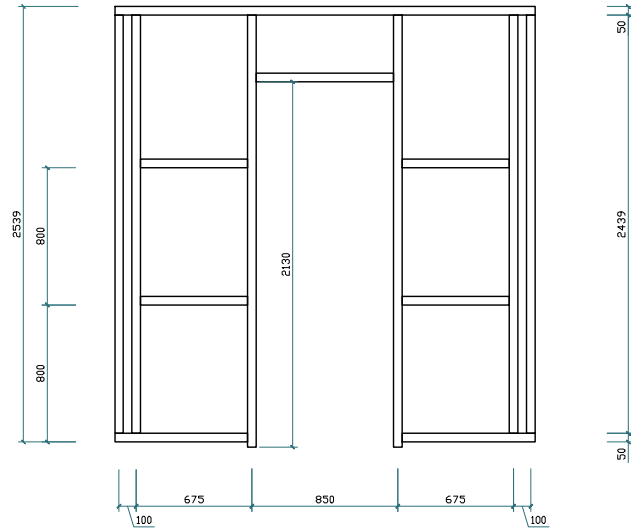


DOOR

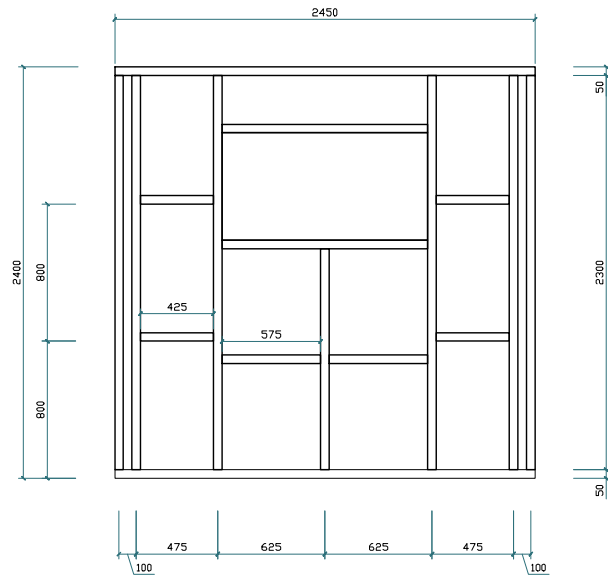


STAIRS

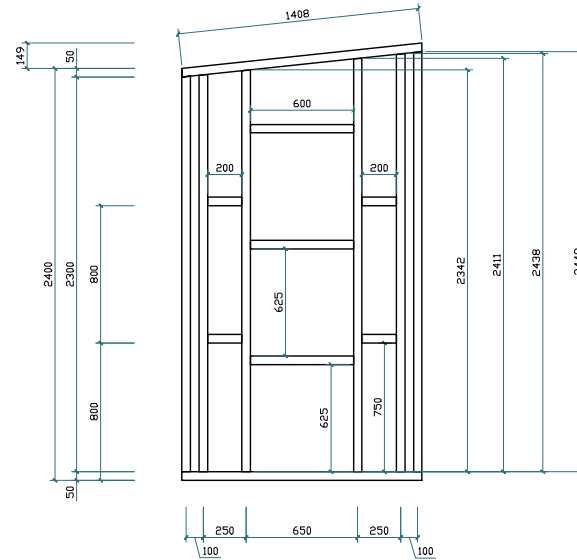
Note:		
Ref.	Date	Revision
<p>Copyright of this drawing shall remain the property of the Government of Tervel. The contractor shall verify all dimensions prior to preparation of shop drawings or commencement of any work. The designer shall be immediately of any discrepancy.</p>		
<p>PUBLIC WORKS DEPARTMENT ARCHITECTURAL SECTION Pl: 20 200 Fax: 20202 E-mail: publicworks@tervel.ty</p>		
Client:		
IWRM PROJECT		
Project Title:		
COMPOSTING TOILET		
Drawing Title:		
WASTE CHAMBER DOOR AND STAIRS		
Scale:	Design by:	
N/A	DSU	
	Drawn by:	
	EM	
Approved for construction:		
Date:	Division:	
06/04/10	DSU	
Project No:		
Sheet No	Revision	Sheet No
		A02



FRONT WALL ELEVATION

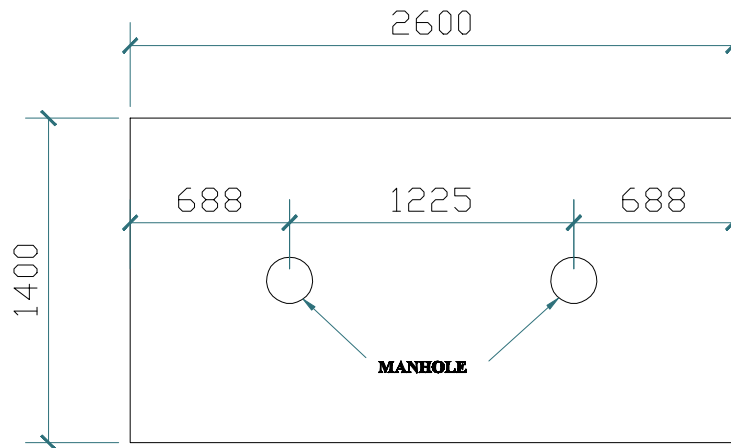


REAR WALL ELEVATION

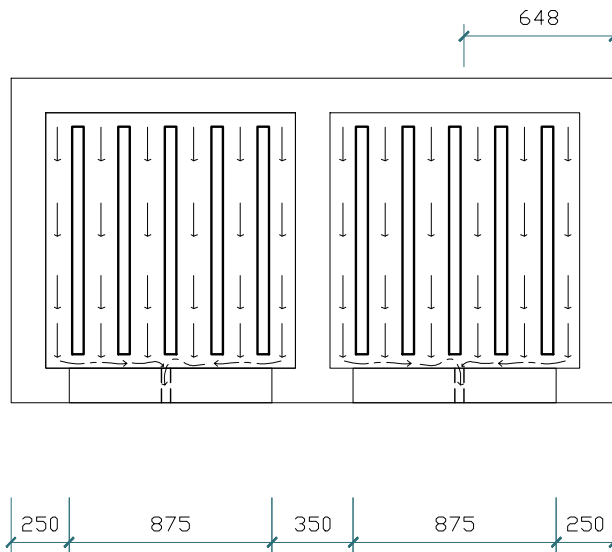


SIDES WALL ELEVATION

Note:		
Ref.	Date	Revision
<p>Copyright of this drawing shall remain the property of the Government of Kerala. The contractor shall verify all dimensions prior to preparation of shop drawings or commencement of any work. The designer shall be immediately of any discrepancy.</p>		
<p>PUBLIC WORKS DEPARTMENT ARCHITECTURAL SECTION Pl: 28 388 Fx: 28382 E-mail: publicworks@kerala.gov.in</p>		
Client:		
IWRM PROJECT		
Project Title:		
COMPOSTING TOILET		
Drawing Title:		
WALL FRAMES		
Scale:	Design by:	
Ns	DSU	
	Drawn by:	
	EM	
Approved for construction:		
Date:	Division:	
06/04/10	DSU	
Project No:		
Sheet No	Revision	Sheet No
		A03



CONC. SLAB

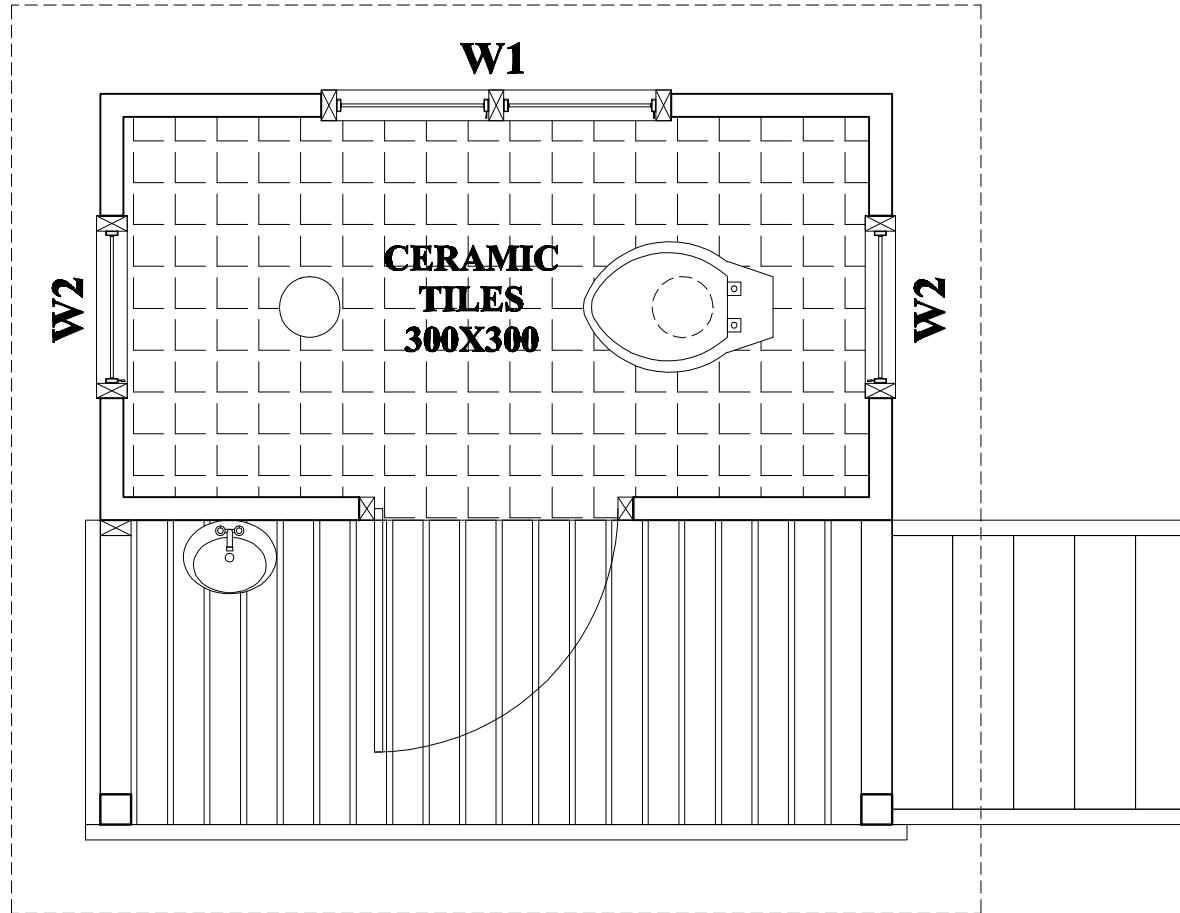
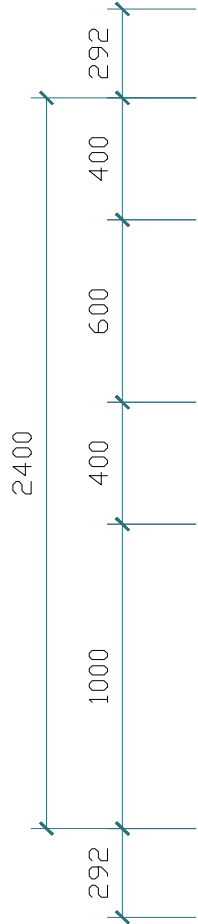
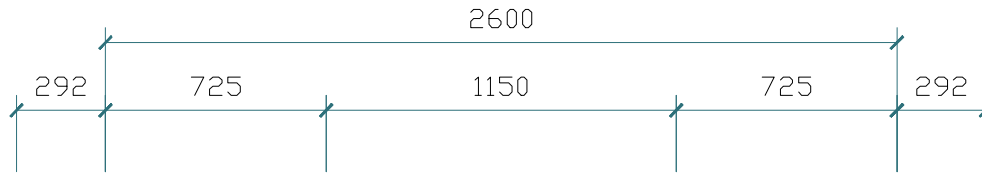


CONC. BLINTH

NOTE:

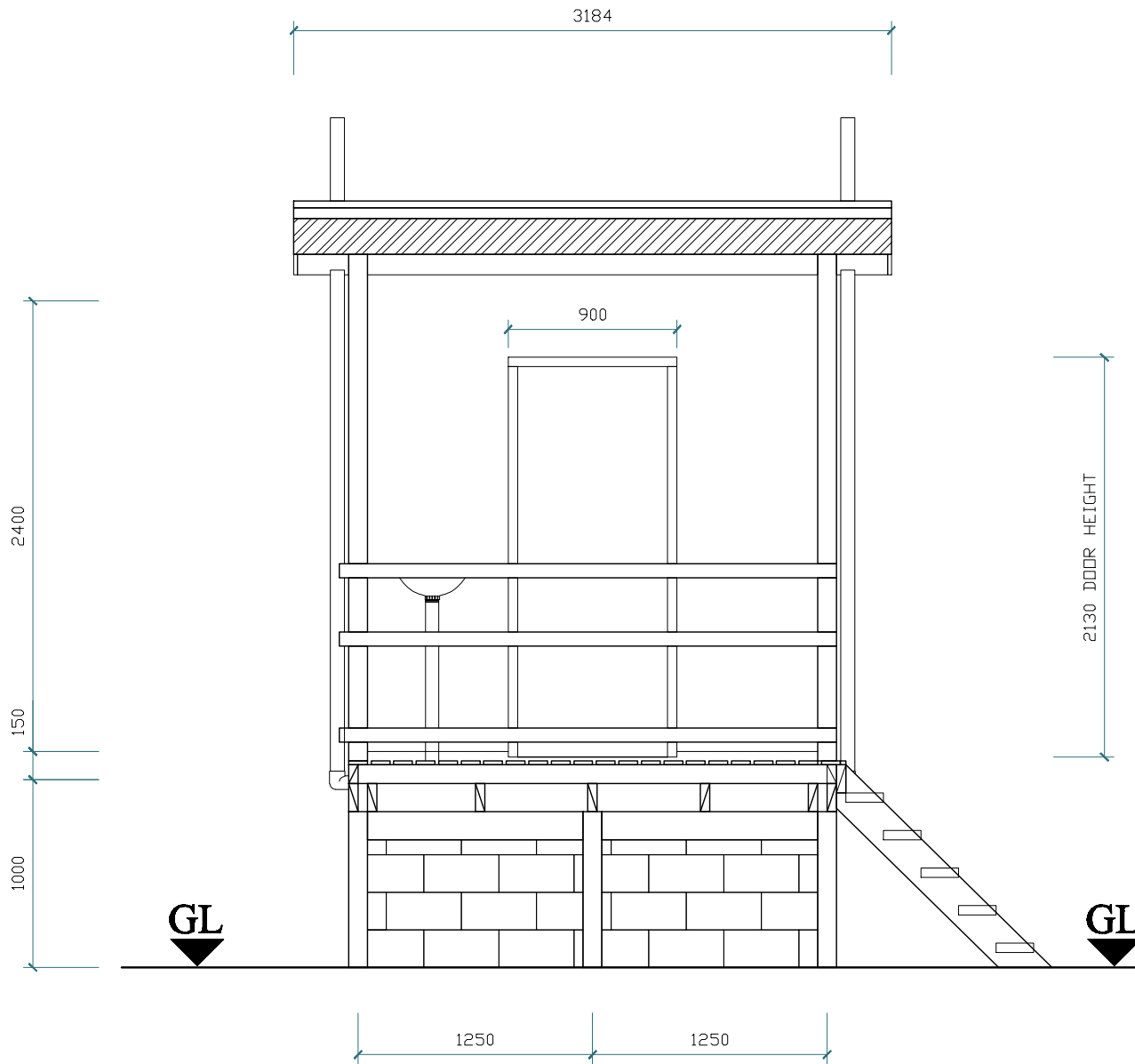
- THE ARROWS INDICATE THE FLOW OF WATER TO THE DRAINAGE PIPE
- THE WATER IS THEN DRAIN INTO A SOAK PIT

Note:		
Ref.	Date	Revision
Copyright of this drawing shall remain the property of the Government of Kerala. The contractor shall verify all dimensions prior to preparation of shop drawings or commencement of any work. The designer shall be immediately of any discrepancy.		
PUBLIC WORKS DEPARTMENT ARCHITECTURAL SECTION Pb: 28 288 Fx:28282 E-mail: publicworks@kerala.tn		
Client: IWRM PROJECT		
Project Title: COMPOSTING TOILET		
Drawing Title: CONCRETE BLINTH AND MANHOLES		
Scale:	Design by: DSU	
No	Drawn by: EM	
Approved for construction:		
Date: 06/04/10	Division: DSU	
Project No:		
Sheet No	Revision	Sheet No
		A04



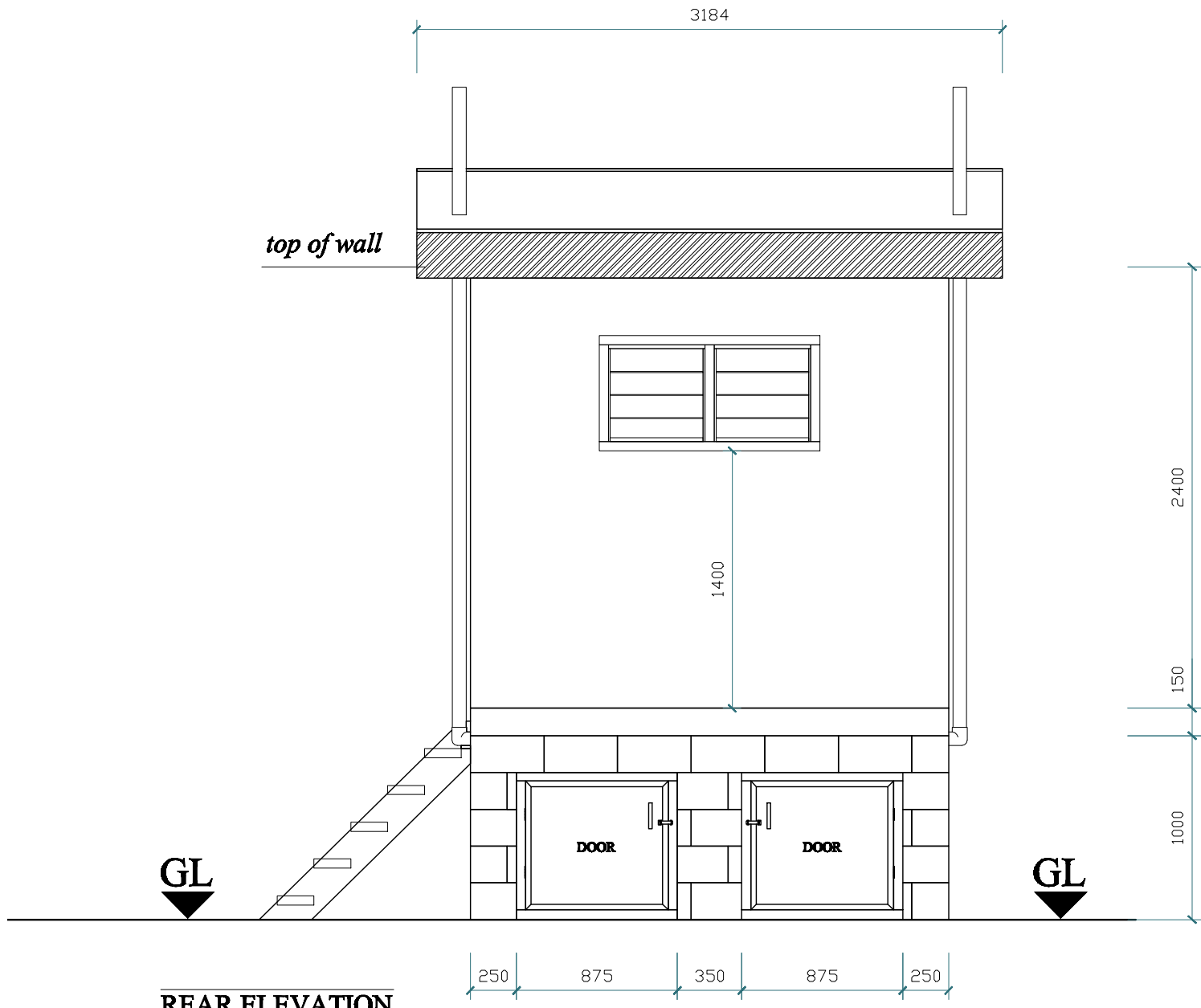
FLOOR PLAN

Note:		
Ref.	Date	Revision
<p>Copyright of this drawing shall remain the property of the Government of Kerala. The contractor shall verify all dimensions prior to preparation of shop drawings or commencement of any work. The designer shall be immediately of any discrepancy.</p>		
PUBLIC WORKS DEPARTMENT ARCHITECTURAL SECTION		Pl: 28 288 Fax: 28382 E-mail: publicworks@kerala.gov.in
Client:		
IWRM PROJECT		
Project Title:		
COMPOSTING TOILET		
Drawing Title:		
TOP PLAN		
Scale:	Design by:	
Ns	DSU	
	Drawn by:	
	EM	
Approved for construction:		
Date:	Division:	
06/04/10	DSU	
Project No:		
Sheet No	Revision	Sheet No
		L01



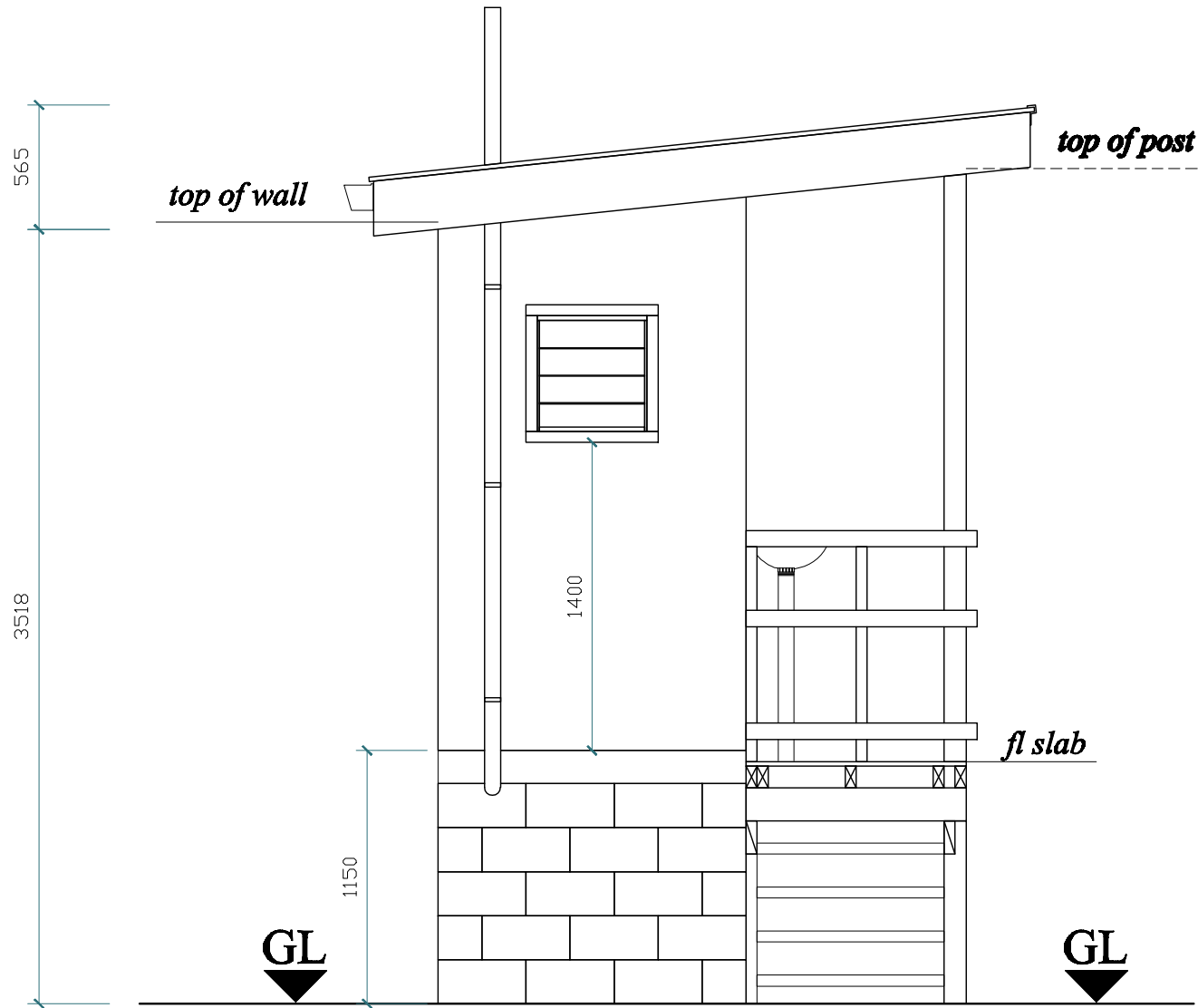
FRONT ELEVATION

Note:		
Ref.	Date	Revision
<p>Copyright of this drawing shall remain the property of the Government of Tervola. The contractor shall verify all dimensions prior to preparation of shop drawings or commencement of any work. The designer shall be immediately of any discrepancy.</p>		
<p>PUBLIC WORKS DEPARTMENT ARCHITECTURAL SECTION Pn: 20 200 Pk:20002 E-mail: publicworks@tervala.fi</p>		
Client:		
IWRM PROJECT		
Project Title:		
COMPOSTING TOILET		
Drawing Title:		
FRONT ELEVATION		
Scale:	Design by:	DSU
Nbs	Drawn by:	EM
Approved for construction:		
Date:	Division:	DSU
06/04/10		
Project No:		
Sheet No	Revision	Sheet No
		L02



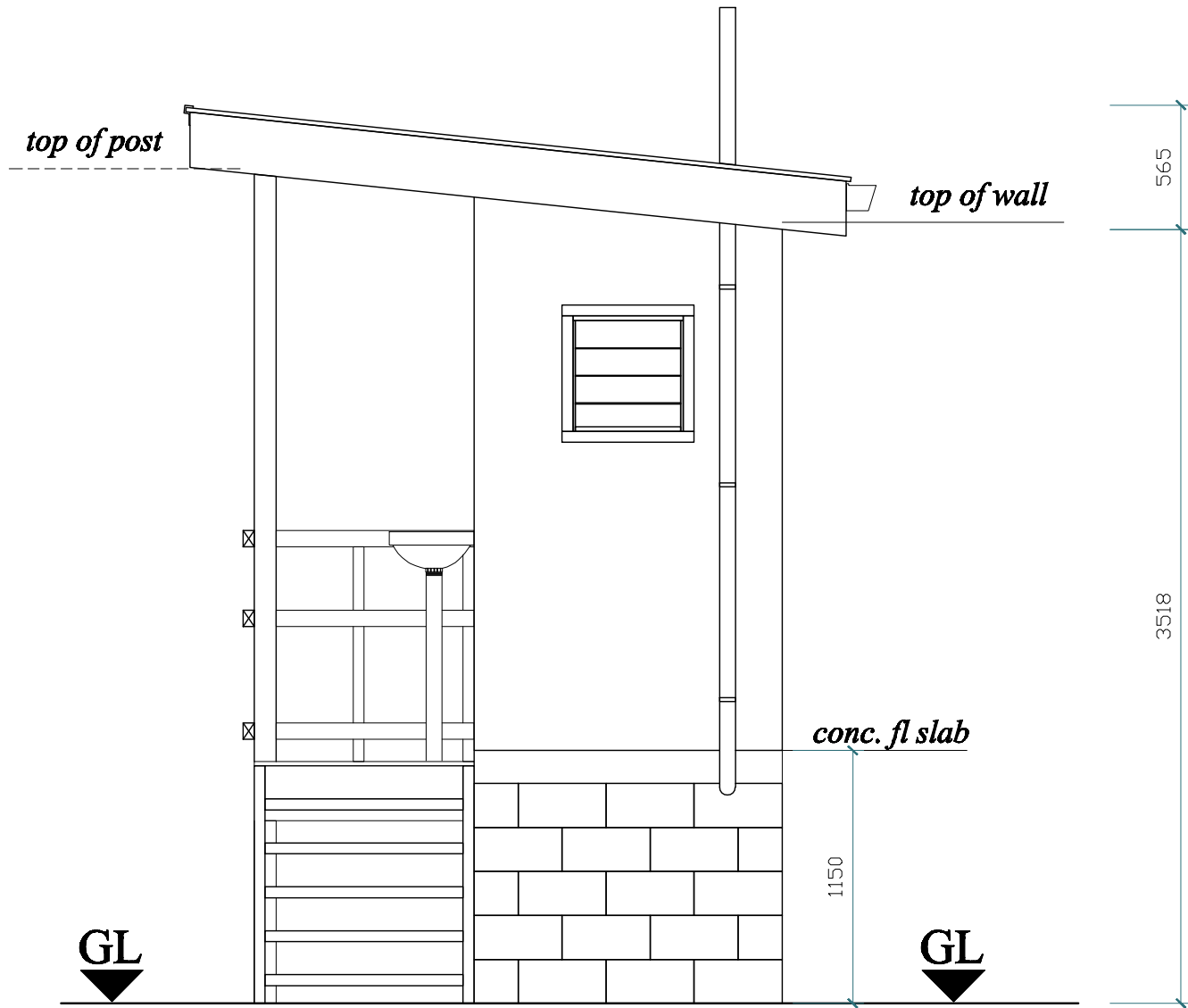
REAR ELEVATION

Note:		
Ref.	Date	Revision
<p>Copyright of this drawing shall remain the property of the Government of Tuvalu. The contractor shall verify all dimensions prior to preparation of shop drawings or commencement of any work. The designer shall be immediately of any discrepancy.</p>		
<p>PUBLIC WORKS DEPARTMENT ARCHITECTURAL SECTION Pk: 20 200 Fx:20002 E-mail: publicworks@tuvalu.tv</p>		
Client:		
IWRM PROJECT		
Project Title:		
COMPOSTING TOILET		
Drawing Title:		
REAR ELEVATION		
Scale:	Design by:	DSU
Nbs	Drawn by:	EM
Approved for construction:		
Date:	Division:	
06/04/10	DSU	
Project No:		
Sheet No	Revision	Sheet No
		L03



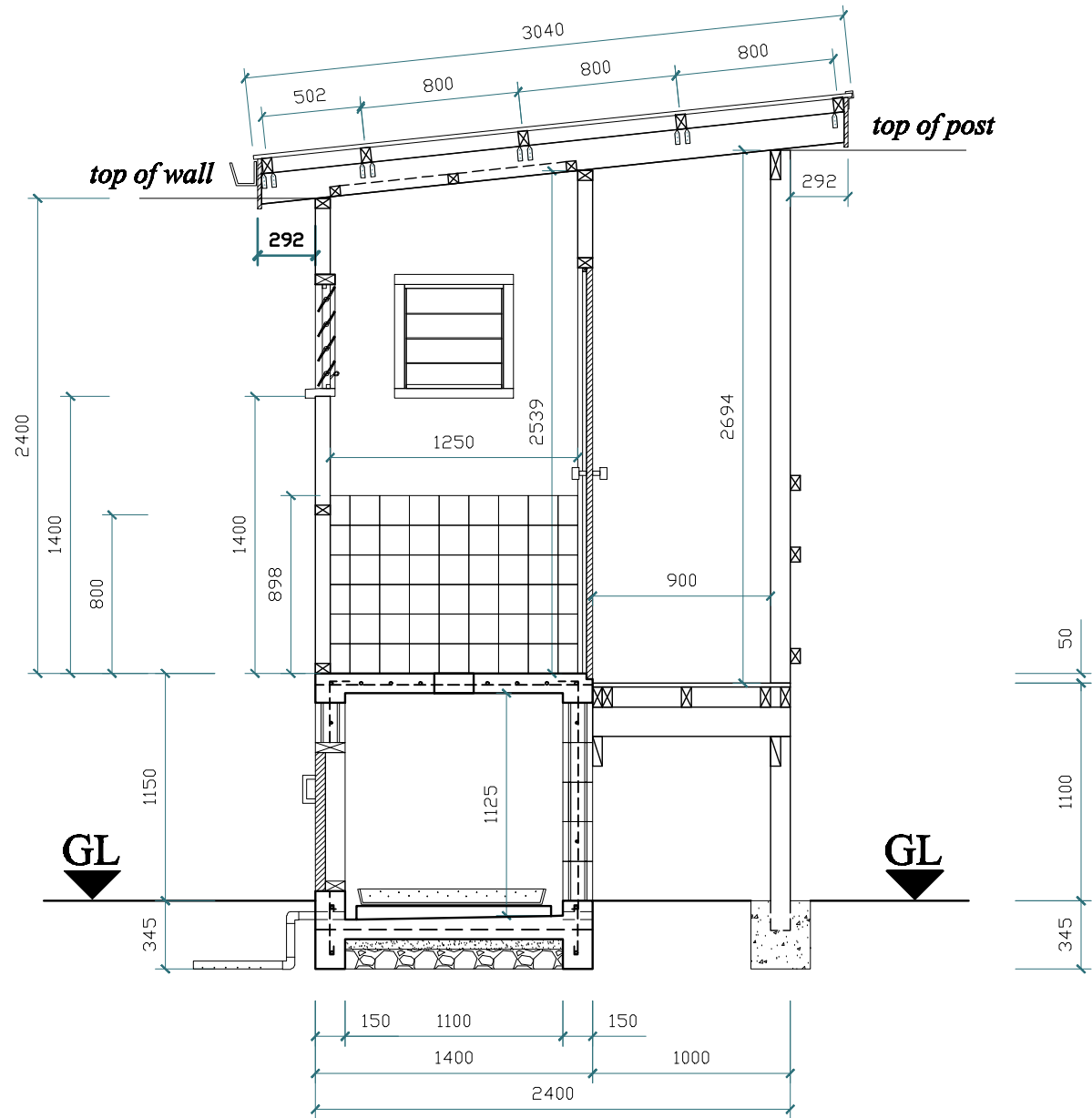
SIDE ELEVATION

Note:		
Ref.	Date	Revision
<p>Copyright of this drawing shall remain the property of the Government of Kerala. The contractor shall verify all dimensions prior to preparation of shop drawings or commencement of any work. The designer shall be immediately of any discrepancy.</p>		
<p>PUBLIC WORKS DEPARTMENT ARCHITECTURAL SECTION Pl: 28 288 Fx: 28282 E-mail: publicworks@kerala.gov.in</p>		
Client:		
IWRM PROJECT		
Project Title:		
COMPOSTING TOILET		
Drawing Title:		
SIDE ELEVATION		
Scale:	Design by:	
Ns	DSU	
	Drawn by:	
	EM	
Approved for construction:		
Date:	Division:	
06/04/10	DSU	
Project No:		
Sheet No	Revision	Sheet No
		L04



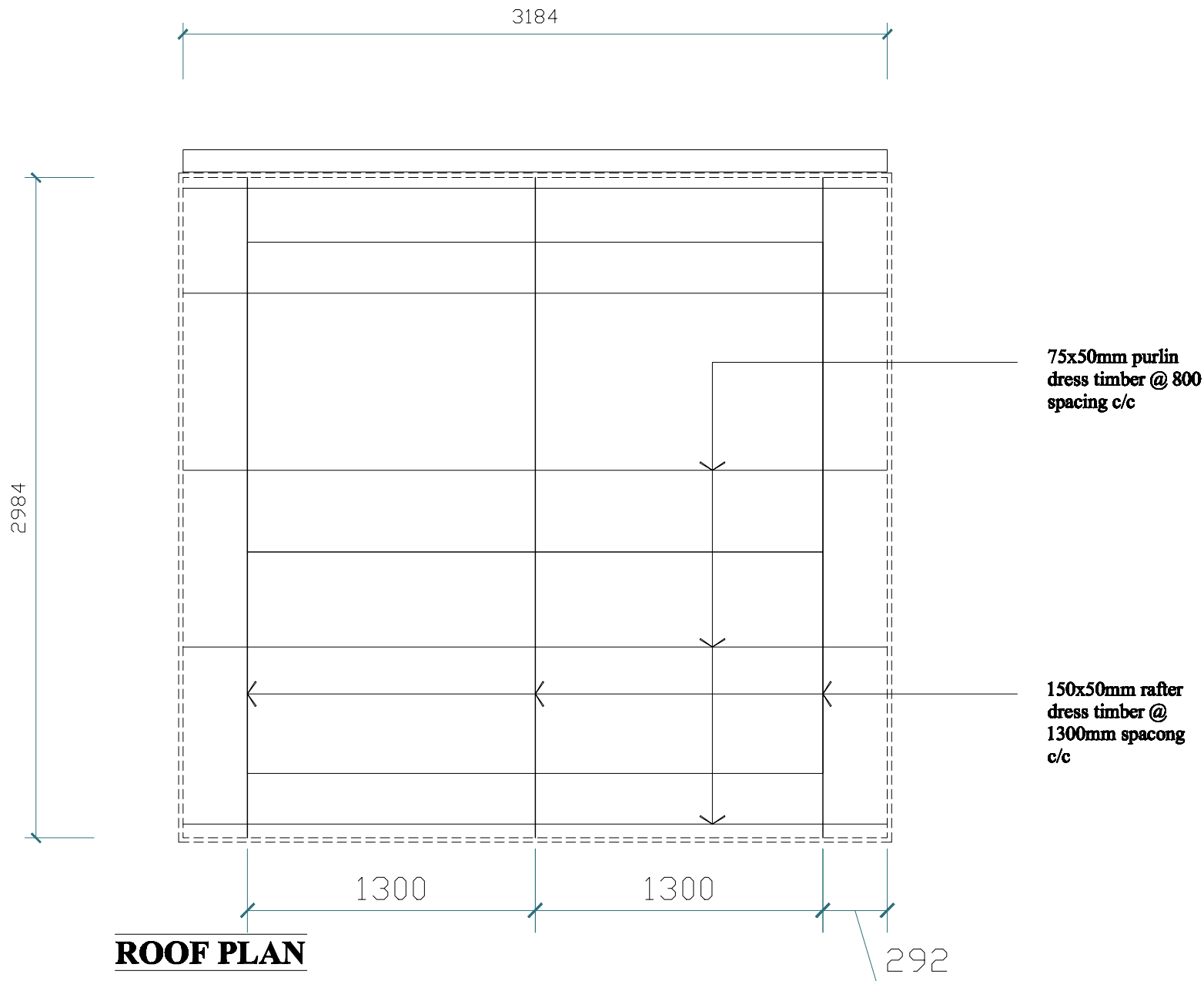
SIDE ELEVATION

Note:		
Ref.	Date	Revision
<p>Copyright of this drawing shall remain the property of the Government of Kerala. The contractor shall verify all dimensions prior to preparation of shop drawings or commencement of any work. The designer shall be immediately of any discrepancy.</p>		
<p>PUBLIC WORKS DEPARTMENT ARCHITECTURAL SECTION Pl: 28 288 Fax: 28282 E-mail: publicworks@kerala.gov.in</p>		
Client:		
IWRM PROJECT		
Project Title:		
COMPOSTING TOILET		
Drawing Title:		
SIDE ELEVATION		
Scale:	Design by:	DSU
Ns	Drawn by:	EM
Approved for construction:		
Date:	Division:	DSU
06/04/10		
Project No:		
Sheet No	Revision	Sheet No
		L05

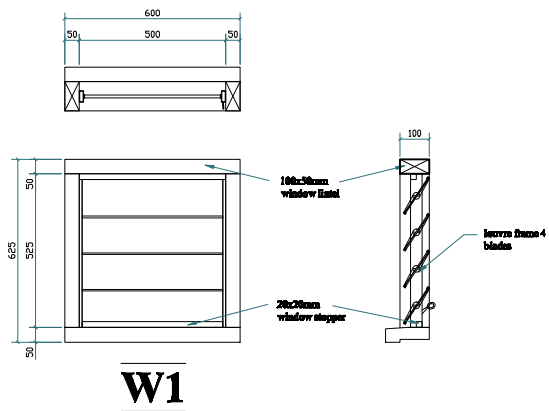
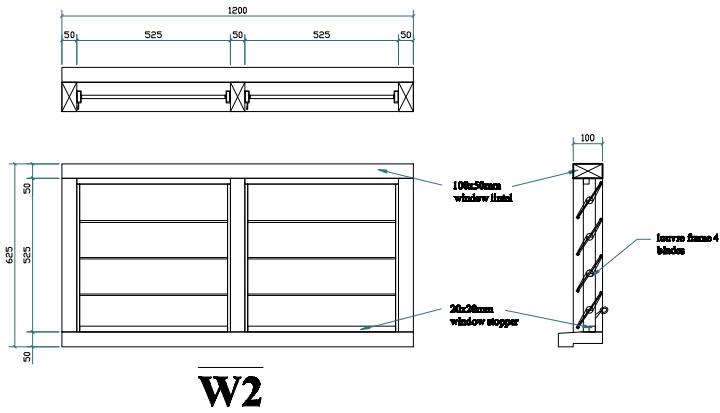
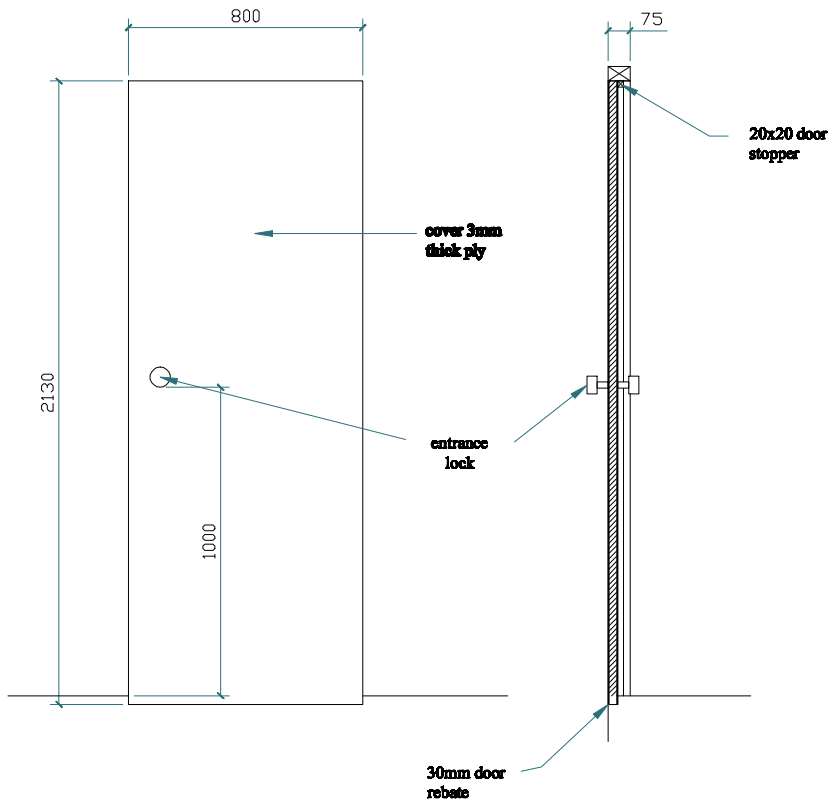


TYPICAL CROSS SECTION

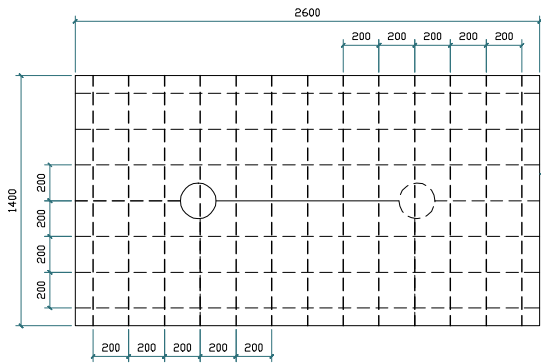
Note:		
Ref.	Date	Revision
<p>Copyright of this drawing shall remain the property of the Government of Kerala. The contractor shall verify all dimensions prior to preparation of shop drawings or commencement of any work. The designer shall be immediately of any discrepancy.</p>		
<p>PUBLIC WORKS DEPARTMENT ARCHITECTURAL SECTION Pl: 28 288 Fax: 28282 E-mail: publicworks@kerala.gov.in</p>		
Client:		
IWRM PROJECT		
Project Title:		
COMPOSTING TOILET		
Drawing Title:		
CROSS SECTION		
Scale:	Design by: DSU	
No	Drawn by: KM	
Approved for construction:		
Date:	Division:	
06/04/10	DSU	
Project No:		
Sheet No	Revision	Sheet No
		L06



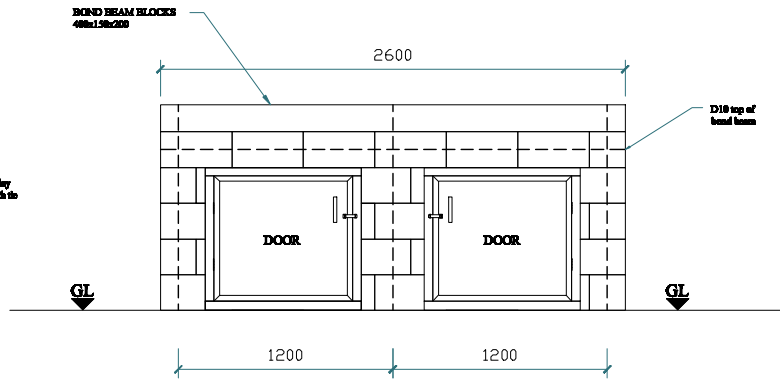
Note:		
Ref.	Date	Revision
Copyright of this drawing shall remain the property of the Government of Tuvalu. The contractor shall verify all dimensions prior to preparation of shop drawings or commencement of any work. The designer shall be immediately of any discrepancy.		
PUBLIC WORKS DEPARTMENT ARCHITECTURAL SECTION P#: 20 200 F#:20202 E-mail: publicworks@tuvalu.tv		
Client:		
IWRM PROJECT		
Project Title:		
COMPOSTING TOILET		
Drawing Title:		
ROOF LAYOUT		
Scale:	Design by: DSU	
N/A	Drawn by: EM	
Approved for construction:		
Date:	Division:	
06/04/10	DSU	
Project No:		
Sheet No	Revision	Sheet No
		L07



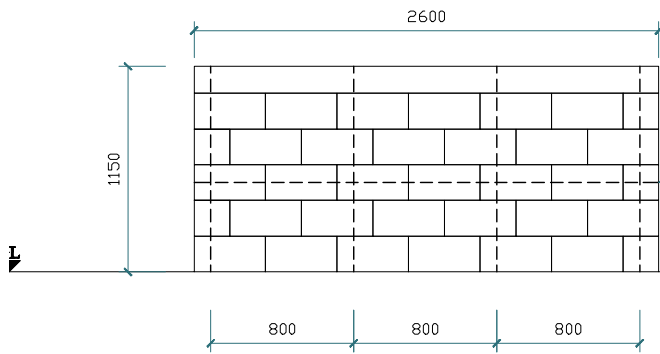
Note:		
<p>Copyright of this drawing shall remain the property of the Government of Tervola. The contractor shall verify all dimensions prior to preparation of shop drawings or commencement of any work. The designer shall be immediately of any discrepancy.</p>		
<p>PUBLIC WORKS DEPARTMENT ARCHITECTURAL SECTION</p> <p>Pl: 20 300 Fax: 20302 E-mail: publicworks@tervala.fi</p>		
<p>Client:</p> <p>IWRM PROJECT</p>		
<p>Project Title:</p> <p>COMPOSTING TOILET</p>		
<p>Drawing Title:</p> <p>WASTE CHAMBER DOOR AND STAIRS</p>		
<p>Scale:</p> <p>Nb</p>	<p>Design by:</p> <p>DSU</p>	
	<p>Drawn by:</p> <p>EM</p>	
<p>Approved for construction:</p>		
<p>Date:</p> <p>06/04/10</p>	<p>Division:</p> <p>DSU</p>	
<p>Project No.:</p>		
Sheet No	Revision	Sheet No
		SH01



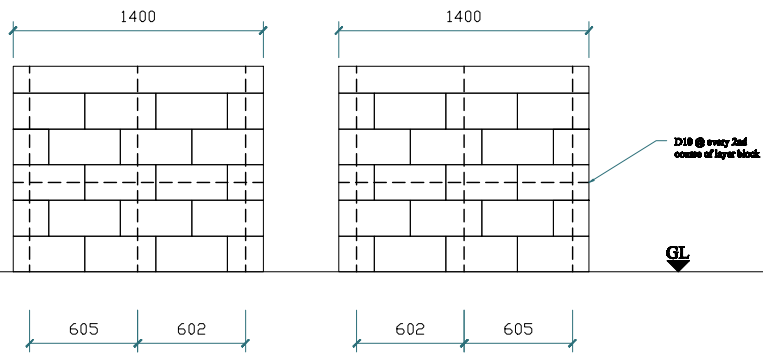
REINF. FLOOR SLAB



REINF. REAR VIEW

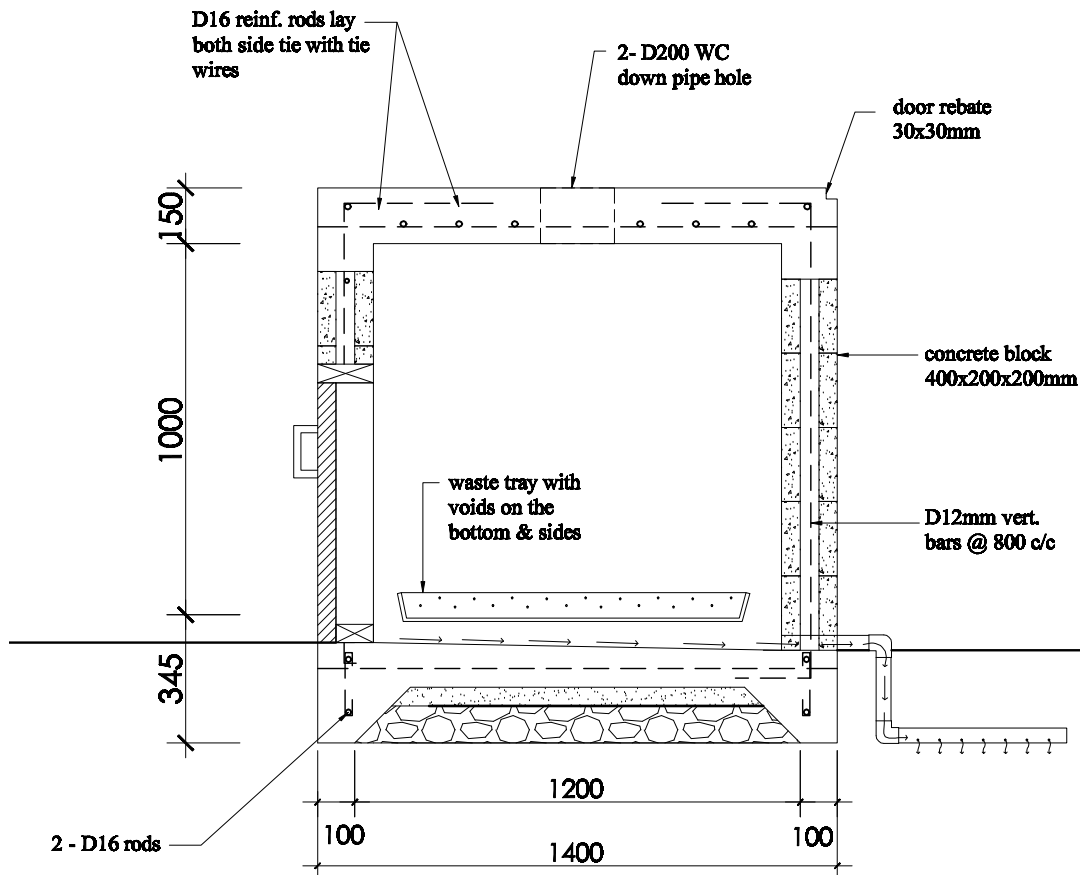
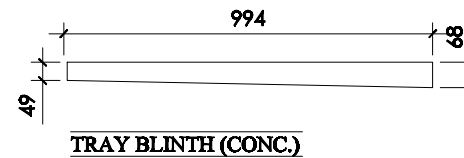
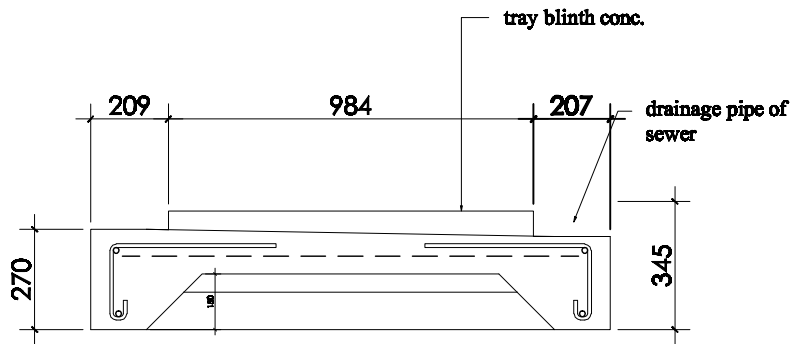


REINF. FRONT VIEW



REINF. SIDES

Note:		
Ref.	Date	Revision
<p>Copyright of this drawing shall remain the property of the Government of Kerala. The contractor shall verify all dimensions prior to preparation of shop drawings or commencement of any work. The designer shall be immediately of any discrepancy.</p>		
<p>PUBLIC WORKS DEPARTMENT ARCHITECTURAL SECTION Pl: 20 200 Fax: 20202 E-mail: publicworks@kerala.gov.in</p>		
Client:		
IWRM PROJECT		
Project Title:		
COMPOSTING TOILET		
Drawing Title:		
CHAMBER & FLOOR SLAB REINF. BARS		
Scale:	Design by:	DSU
Ns	Drawn by:	EM
Approved for construction:		
Date:	Division:	
06/04/10	DSU	
Project No:		
Sheet No	Revision	Sheet No
		ST01



WASTE CHAMBER

Note:		
Ref.	Date	Revision
<p>Copyright of this drawing shall remain the property of the Government of Kerala. The contractor shall verify all dimensions prior to preparation of shop drawings or commencement of any work. The designer shall be immediately of any discrepancy.</p>		
<p>PUBLIC WORKS DEPARTMENT ARCHITECTURAL SECTION P: 20 200 F: 20202 E-mail: publicworks@kerala.gov.in</p>		
<p>Client: IWRM PROJECT</p>		
<p>Project Title: COMPOSTING TOILET</p>		
<p>Drawing Title: CHAMBER REINF.</p>		
<p>Scale: Ns</p>	<p>Design by: DSU</p>	<p>Drawn by: EM</p>
<p>Approved for construction:</p>		
<p>Date: 06/04/10</p>	<p>Division: DSU</p>	
<p>Project No:</p>		
<p>Sheet No</p>	<p>Revision</p>	<p>Sheet No</p>
		ST02